

# AI SHANG Sports Camera

## AS101-C



### Product Overview:

- 4K binocular splicing, up to 16 megapixels clear real-time image output.
- With a large horizontal 180° field of view, it's able to cover the entire venue of the shooting effect.
- Integrated basketball and human figure detection algorithms, can automatically carry out the mirror to follow the shooting, push the near and far shooting, thus realizing the unmanned shooting, to bring the stunning sports live show.
- Have a built-in microphone that can better capture live sound for a more authentic stadium live experience.
- Support half-time live and full-time live two modes switching, can adapt to more game scenarios.
- Supports goal recognition and can automatically clip to generate match highlights.
- Supports rich software services that can initiate live/recorded broadcasts, score overlays, tournament commentary, and support relaying third-party live streaming platforms.
- With AI smart algorithms at its core, it allows every sporting event to deliver a high-quality broadcast experience at a fraction of the cost.
- Support Ethernet, WIFI, 4G (Optional) 、Bluetooth multiple network communication modes.
- Supports 64GB of local storage.

### Ordering Model:

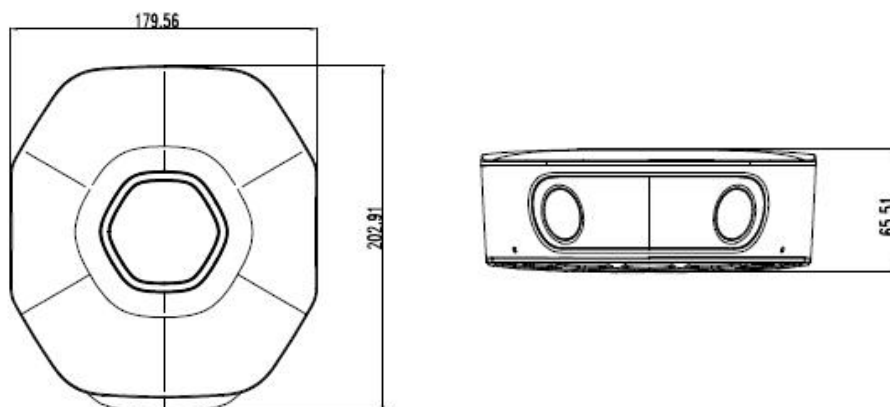
AS101-C

### Application Scenario:

AI SHANG Sports Camera, can bring customers a broader imaging field of view as well as higher imaging clarity. It can serve a wide range of sports events, including basketball, soccer, badminton, volleyball, table tennis, tennis, paddle and other sports, providing a full range of video shooting, live streaming, recording services, and also automatically generating highlights of the whole game. With AI smart algorithms at its core, the camera ensures a high-quality broadcast experience for every sporting

event while significantly reducing costs, providing strong support for the recording and dissemination of sporting events.

### Product Dimension:

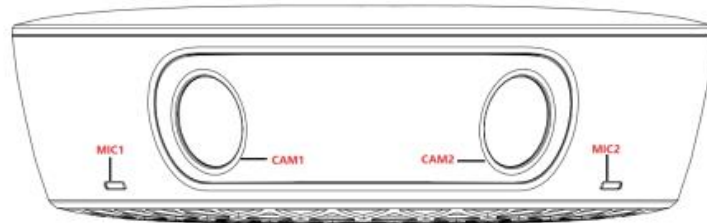


### Product Parameters:

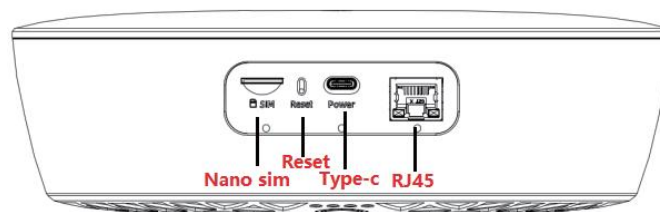
	Product Model	AS101-C
Basic Parameters	Sensor Type	1/1.8" 4K Progressive Scan CMOS
	Running Memory	4GB DDR4
	Body Memory	64GB EMMC
	Minimum Illumination	0.001Lux @(F1.2, AGC ON), 0 Lux with IR
	Lens Focal Length	2.8mm fixed focus
	Number of Lenses	2
	Field of view	Horizontal field of view: 180°, Vertical field of view: 59°
Live Broadcast Function	Maximum Resolution	16 million
	Panorama	Dual 4K splicing 180° panoramic high-definition picture
	Live Picture	1080P High-definition picture
	Highlights	Automatic generation of goal highlights clips (half-time live mode support)
	Live Mode	Left half-time live, right half-time live, full-court live
	General Intelligence	Humanoid detection and tracking, basketball detection and tracking, goal judgment
	Shooting Techniques	Dribbling mirror follow up shooting, push close and pull far shooting
Network Function	Network Communication	Ethernet, WIFI, Bluetooth、4G (Optional)

Interface Characteristics	Network Interface	1 RJ45 100/1000M adaptive Ethernet port
	Charging Interface	USB Type-C
	Reset Button	Support long press reset function
	On/Off Button	Power on/off button with running indicator light (ring type three-color light: green, white, red)
	Power Indicator	4 green indicator lights
	Audio Interface	Built-in MIC
General Norm	Power supply	Rechargeable Li-ion battery power supply (10H), 11.1V 8000mAh,88.8Wh
	Power Consumption	≤15W
	Operating Environment	-10 ~ +50°C/less than ≤ 95% RH
	Storage Environment	'0 ~ +60°C/less than ≤ 95% RH
	Protection Class	IP54
	Housing Material	PC + Hardware Material
	Dimension(mm)	179.5(L)*202.9(W)*66.5(H)
	Weight	Approx. 1.27 kg (bare weight), approx. 2.63 kg (packed weight)

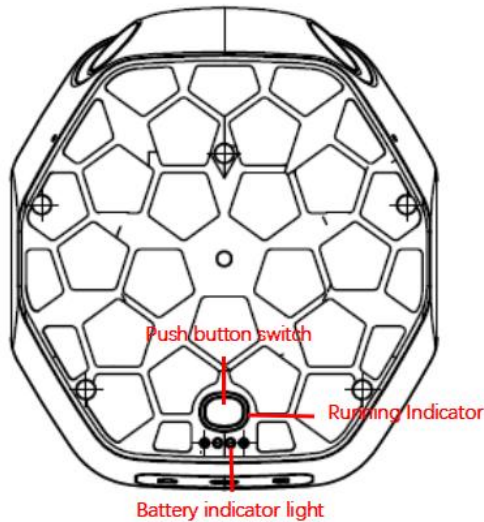
### Exterior Interface:



**Front**



**Back**



### Bottom

Region	Name	Definition
Front Face	MIC1&MIC2	Microphone, 2-Way
	CAM1&CAM2	Camera, 2-way
Back Shell	Nano-sim	Sim card slot (supported by models with 4G function)
	Reset	Hardware reset
	Type-C	Charging port, support fast charging
	RJ45	Wired network port
Bottom	Push button switch	Long press to turn on and off, long press for 5 seconds; short press to check the power level
	Running Indicator	Device operation status indicator ring light; device startup: green flashing; device has been started: green always on
	Battery indicator light	4 green lights, device power indicator, each one represents 25% battery power
	Mounting screw holes	1/4" screw holes, suitable for 1/4" screw mounting bracket fixed